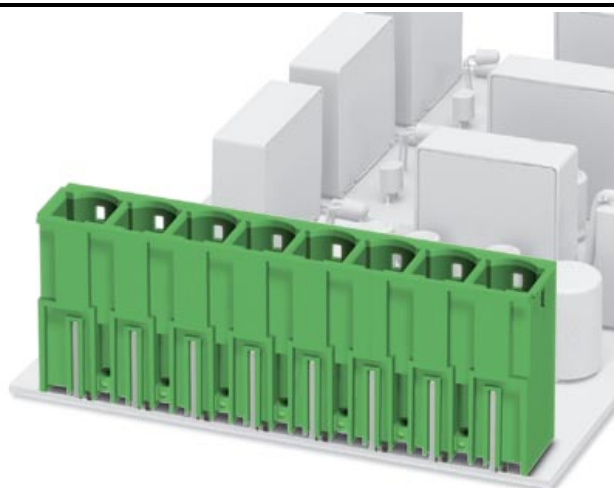


Please note that the data given here has been taken from the online catalog. For comprehensive information and data, please refer to the user documentation at <http://www.download.phoenixcontact.com>. The General Terms and Conditions of Use apply to Internet downloads.

## ▶ Extract from the online catalog



POWER COMBICON headers, 10.16 mm pitch, color: Green, no. of positions: 3

The illustration shows an 8-position version

Order No.	1998797
Ord designation	PCV 6-16/ 3-G1-10,16
EAN	4046356038294
Pack	50 Pcs.
Customs tariff	85366930
Catalog page information	Page 118 (NTK-2005)

## ▶ Product notes

WEEE/RoHS-compliant since: 05/18/2004



## ▶ Certificates

<b>CUL</b>	
Nominal voltage $U_N$	300 V
Nominal current $I_N$	55 A
Nominal voltage $U_N$	600 V
Nominal current $I_N$	5 A



---

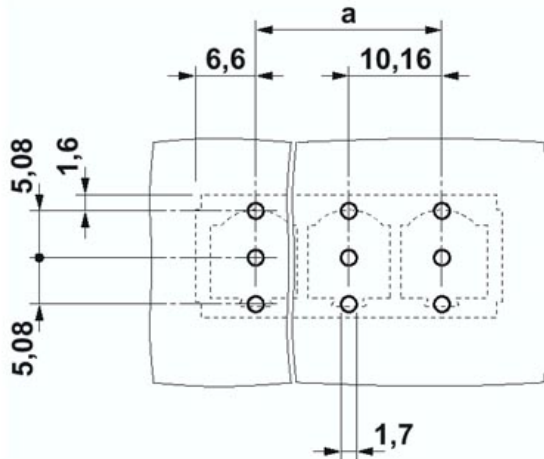
**UL**

Nominal voltage $U_N$	300 V
Nominal current $I_N$	55 A
Nominal voltage $U_N$	600 V
Nominal current $I_N$	5 A

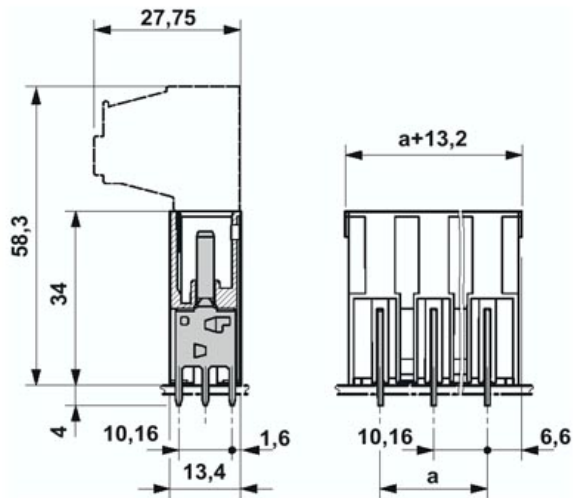
---

► Drawings

Drilling diagram



Dimensioned drawing



---

## ► Accessories

---

Item	Designation	Description
<b>General</b>		
1970016	CS-IPC 16/ 6	Keying peg, serves to ensure correct polarization on the PCB during manual mounting
<b>Plug/Adapter</b>		
1600027	CP-HCC 4	Coding section, is inserted into the slot on the plug and panel mounting base, red insulating material

---



---

## ► Address

---

PHOENIX CONTACT Inc., USA  
586 Fulling Mill Road  
Middletown, PA 17057  
USA  
Phone (800) 888-7388  
Fax (717) 944-1625  
<http://www.phoenixcon.com>  
Phoenix Contact  
Technical modifications reserved;